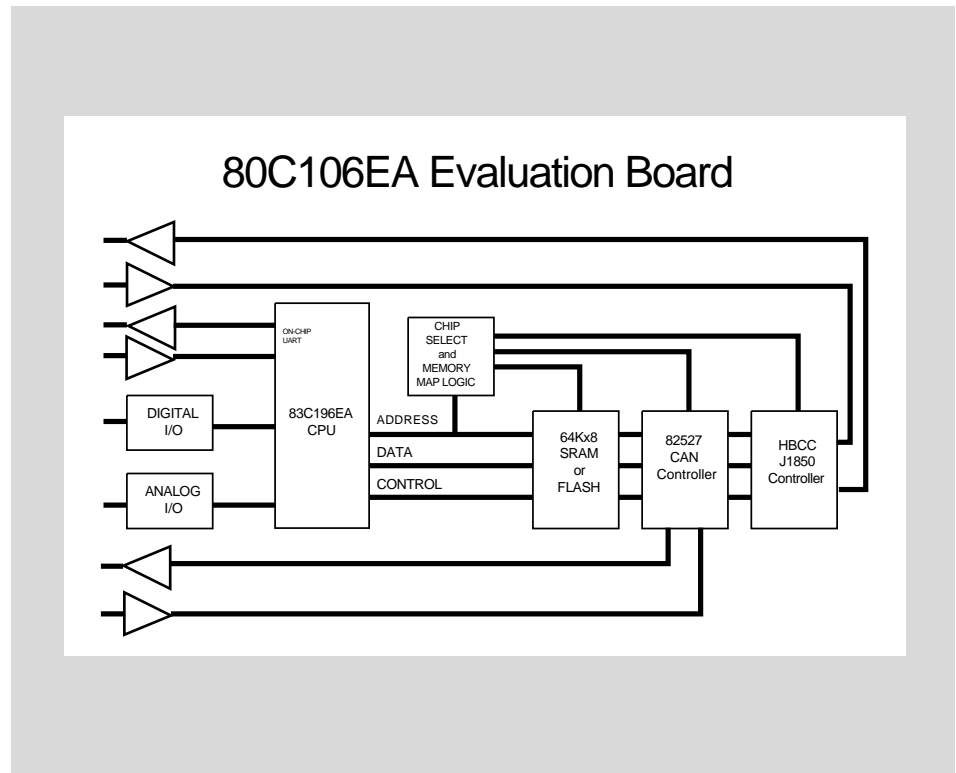


EV83C196EA Evaluation Board

- 83C196EA Microcontroller
- HBCC J1850 Network Interface
- 82527 CAN Interface With Physical Layer
- 256K Word Flash Memory
- 64K SRAMs Upgradable to 128K
- Microcontroller Bus Expansion Connector For Custom Hardware Interfaces

The EV83C196EA Evaluation Board is designed as a demonstration/evaluation system for the 83C196EA 16-bit microcontroller. The user can evaluate the capabilities of the 83C196EA in a typical application. In addition to the 83C196EA, the target board includes an external 256K work Flash memory, 64 Kbyte external RAM, and 82527 CAN 2.0 controller. A socket for an HBCC networking chip is also provided. The EV83C196EA target board is also useful as a stand-alone platform for early system prototyping. All relevant signals are available on external headers. Complete schematics, RISM source code, 22V10 PAL source code, and a parts list are provided.



MICROCONTROLLERS
SUPPORTED:

80C196CB

DEVELOPMENT PLATFORMS:
PC

AVAILABILITY:
Now

CONTACT:

Dearborn Group Technology
37632 Hills Tech Drive
Farmington Hills, MI 48331

Phone: (810) 488-2080

FAX: (810) 488-2082

e-mail: dg@dgtech.com

WWW: <http://www.dgtech.com>

For international contacts, see Appendix B.